



Closed blade



Open blade

Mechanical self-powered dampers

ARK2



For the prevention of excess pressure in rooms

Pressure relief dampers for gas fire extinguishing systems and transformer substations

- Air leakage with back pressure to EN 1751, class 4
- Maximum differential pressure: 5000 Pa
- The differential pressure can be adjusted from 50 – 1000 Pa (B > 600 mm: 600 Pa max.)
- Blades made of aluminium, casing made of galvanised steel
- Blades open when the maximum differential pressure is exceeded and close automatically when the pressure drops
- Blade locking with permanent magnet
- Robust, maintenance-free construction
- Available in standard sizes and many intermediate sizes
- Operating temperature 0 to 80 °C

Optional equipment and accessories

- Installation subframe
- Powder coating (RAL or DB)
- Stainless steel construction with stainless steel casing; blades made of aluminium

General information	2	Order code	8
Function	3	Dimensions	9
Technical data	5	Product details	11
Quick sizing	5	Nomenclature	13
Specification text	7		

General information

Application

- Pressure relief dampers for the protection of internal spaces from differential pressures higher than set maximum levels
- When the set maximum differential pressure is exceeded, the blades automatically open to relieve the excess pressure
- Pressure peaks will be reliably controlled
- The differential pressure can be adjusted from 50 – 1000 Pa (B > 600 mm: 600 Pa max.)

Special features

- Robust, maintenance-free construction
- Maximum differential pressure: 5000 Pa
- Air leakage with back pressure, in closing direction, to EN 1751, class 4
- Damper for negative or positive pressure (air extract or discharge)
- Operating temperature 0 to 80 °C
- Maintenance-free DU bearings with Teflon coating, bearing shafts made of stainless steel
- Each blade is locked with a factory set permanent magnet
- Adjustable differential pressure for blade opening: 50 – 1000 Pa, depending on width

Nominal sizes

- B: 200, 400, 600, 800, 1000, 1200 mm (intermediate sizes: 201 – 1199 mm, in increments of 1 mm)
- H: 345, 675, 1005, 1335, 1665, 1995 mm (intermediate sizes 355 – 505, 685 – 835, 1015 – 1165, 1345 – 1495, 1675 – 1825 mm in increments of 1 mm)
- Any combination of B × H

Construction

- Galvanised sheet steel, duct connection without flange holes
- A2: Stainless steel
- G: Duct connection with flange holes

Parts and characteristics

- Ready-to-install pressure relief damper
- Blades with low-friction bearings
- One retaining element with a permanent magnet for each blade
- Seal
- Travel stop (angle section)

Construction features

- Rectangular casing, material thickness 2 mm
- Blades, material thickness 3 mm
- Flanges on both sides, suitable for duct connection, with or without flange holes
- Adjustable retaining element to adapt to various pressures (factory set as ordered)
- Blades can be moved independent of complementary to one another
- Blades with perimeter seal, pressed against travel stop (angle section) when closed
- Blade shafts with maintenance-free plastic bearings

Materials and surfaces

- Casing and travel stop (angle section) made of galvanised sheet steel, material no. EN 10346-DX51D+Z140-200
- A2 construction: Casing and travel stop (angle section) made of stainless steel, material no. 1.4301
- Blades made of aluminium, material no. AlMg3
- Blade holders made of stainless steel, material no. 1.4301
- Blade shafts made of stainless steel, material no. 1.4104
- Plate of the retaining element made of steel, material no. 1.0718
- PPS bearings
- Neoprene seals
- P1: Powder-coated, RAL CLASSIC colour
- PS: Powder-coated, DB colour

Standards and guidelines

- Casing air leakage to EN 1751, class C
- Closed blade air leakage (against the intended airflow direction) to EN 1751, class 4

Maintenance

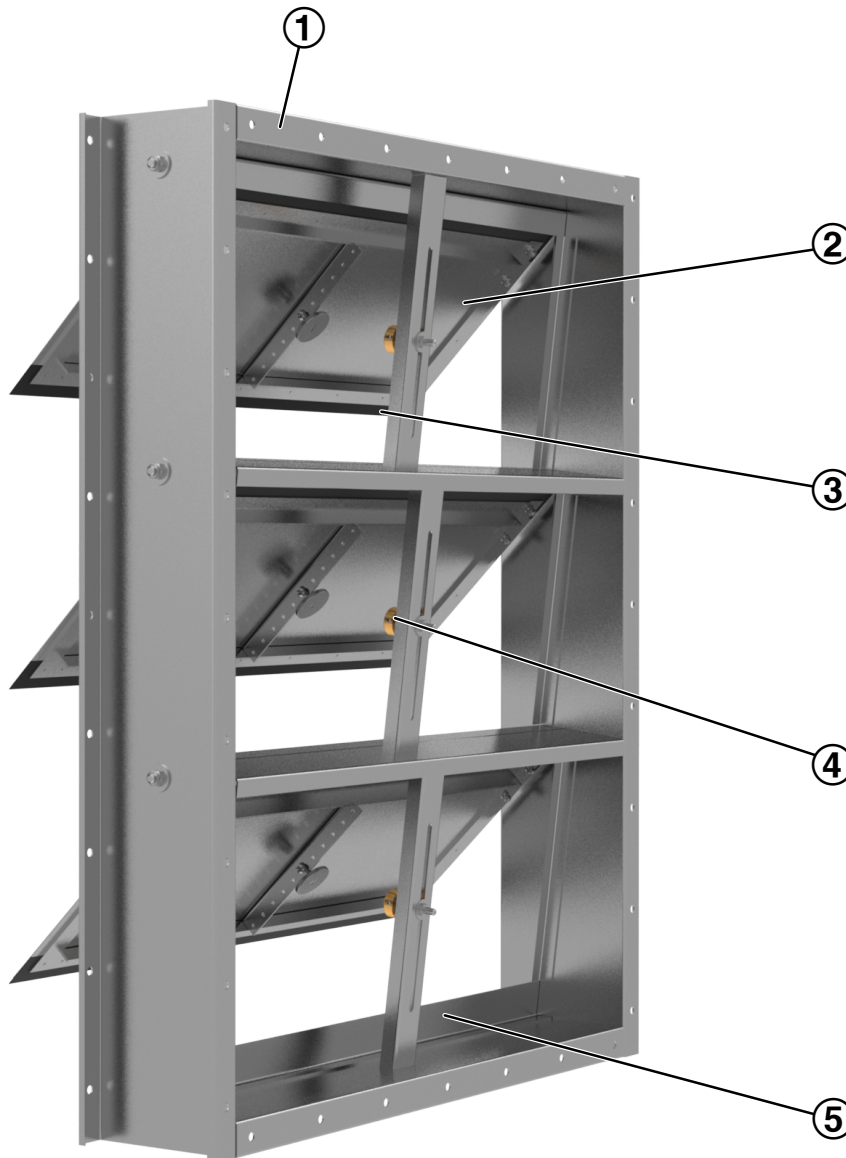
- Maintenance-free as construction and materials are not subject to wear
- Contamination should be removed as it may lead to corrosion and to increased closed blade air leakage

Function

Pressure-relief dampers open and close automatically. The blades are kept closed by magnets. If the differential pressure exceeds the set maximum value, the magnetic force is overcome, and the blades open. The airflow by which the excess pressure has been caused can now flow through the damper.

The pressure peak is immediately and reliably controlled. The blade opening angle depends on the differential pressure and the volume flow rate. When the differential pressure drops below approx. 30 Pa, the blades close again.

Schematic illustration of ARK2



- ① Casing
- ② Blade
- ③ Seal
- ④ Retaining element
- ⑤ Travel stop (angle section)

Closed blade



Open blade



Technical data

Nominal sizes	200 × 345 – 1200 × 1995 mm
Volume flow rate range	140 – 4790 l/s or 504 – 17244 m ³ /h at 50 Pa and 2 m/s
Adjustable differential pressure range	50 – 1000 Pa (B > 600 mm: 600 Pa max.)
Airflow velocity	2 m/s at 50 Pa
Maximum permissible differential pressure in closing direction	5000 Pa
Operating temperature	0 to 80 °C

Geometric free area – ARK2 [m²]

H	B					
	200	400	600	800	1000	1200
345	0.031	0.085	0.139	0.194	0.248	0.302
675	0.063	0.174	0.284	0.394	0.504	0.614
1005	0.096	0.262	0.428	0.594	0.761	0.927
1335	0.128	0.35	0.572	0.795	1.017	1.239
1665	0.16	0.438	0.717	0.995	1.273	1.552
1995	0.192	0.527	0.861	1.195	1.53	1.864

Intermediate sizes: Intermediate widths can be interpolated

Quick sizing

Quick sizing tables provide a good overview of the volume flow rates with 50 Pa differential pressure and an airflow velocity of 2 m/s. Values for intermediate widths can be interpolated. Precise intermediate values can be calculated with our Easy Product Finder design program.

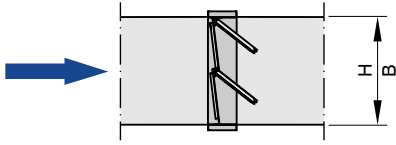
Volume flow rate

H	B											
	200		400		600		800		1000		1200	
	l/s	m ³ /h	l/s	m ³ /h	l/s	m ³ /h	l/s	m ³ /h	l/s	m ³ /h	l/s	m ³ /h
345	140	504	275	990	415	1494	550	1980	690	2484	830	2988
675	270	972	540	1944	810	2916	1080	3888	1350	4860	1620	5832
1005	400	1440	805	2898	1210	4356	1610	5796	2010	7236	2410	8676
1335	535	1926	1070	3852	1600	5760	2140	7704	2670	9612	3200	11520
1665	665	2394	1330	4788	2000	7200	2660	9576	3330	11988	4000	14400
1995	800	2880	1600	5760	2390	8604	3190	11484	3990	14364	4790	17244

Airflow velocity

Δp_t [Pa]	v [m/s]
35	1
50	2
65	3
80	4
90	5

Horizontal airflow



Specification text

This specification text describes the general properties of the product. Texts for variants can be generated with our Easy Product Finder design program.

Specification text

Rectangular pressure relief dampers for the protection of internal spaces from differential pressures higher than set maximum levels.

Ready-to-install component which consists of a casing, blades with low-friction bearings, magnets, and travel stop and sealing parts.

Closed blade air leakage (against the intended airflow direction) to EN 1751, class 4

Casing air leakage to EN 1751, class C.

Special features

- Robust, maintenance-free construction
- Maximum differential pressure: 5000 Pa
- Air leakage with back pressure, in closing direction, to EN 1751, class 4
- Damper for negative or positive pressure (air extract or discharge)
- Operating temperature 0 to 80 °C
- Maintenance-free DU bearings with Teflon coating, bearing shafts made of stainless steel
- Each blade is locked with a factory set permanent magnet
- Adjustable differential pressure for blade opening: 50 – 1000 Pa, depending on width

Materials and surfaces

- Casing and travel stop (angle section) made of galvanised sheet steel, material no. EN 10346-DX51D+Z140-200
- A2 construction: Casing and travel stop (angle section) made of stainless steel, material no. 1.4301

- Blades made of aluminium, material no. AlMg3
- Blade holders made of stainless steel, material no. 1.4301
- Blade shafts made of stainless steel, material no. 1.4104
- Plate of the retaining element made of steel, material no. 1.0718
- PPS bearings
- Neoprene seals
- P1: Powder-coated, RAL CLASSIC colour
- PS: Powder-coated, DB colour

Construction

- Galvanised sheet steel, duct connection without flange holes
- A2: Stainless steel
- G: Duct connection with flange holes

Technical data

- Nominal sizes: 200 × 345 to 1200 × 1995 mm
- Volume flow rate range: 140 – 4790 l/s or 504 – 17244 m³/h at 50 Pa, 2 m/s
- Adjustable differential pressure range: 50 – 1000 Pa (B > 600 mm: 600 Pa max.)
- Airflow velocity: 2 m/s at 50 Pa
- Maximum differential pressure: 5000 Pa
- Operating temperature: 0 to 80 °C

Sizing data

- Δp_{sup} [Pa]
- q_v (m³/h)
- Δp_{st} [Pa]

Order code

ARK2 – A2 – G / 600 × 1005 / ER / ... Pa / P1-RAL
 | | | | | | |
 1 2 3 4 5 6 7

1 Type

ARK2 Pressure relief damper

No entry: None

ER With (only for construction G)

2 Material

No entry: galvanised steel with aluminium blades

A2 Stainless steel with aluminium blades

6 Maximum differential pressure [Pa]

Specify value in [Pa]

3 Construction

No entry: duct connection without flange holes

G Duct connection with flange holes

7 Surface

No entry: standard construction

P1 Powder-coated, specify RAL CLASSIC colour

PS Powder-coated, specify DB colour

4 Nominal size [mm]

B × H

Gloss level

RAL 9010 GU50

RAL 9006 GU30

All other RAL colours GU70

5 Installation subframe
Order example: ARK2–G/800×1995/100 Pa
Material

Galvanised steel, with aluminium blades

Construction

Flange holes on both sides

Nominal size

800 × 1995 mm

Installation subframe

Without

Maximum differential pressure

100 Pa

Surface

Standard construction

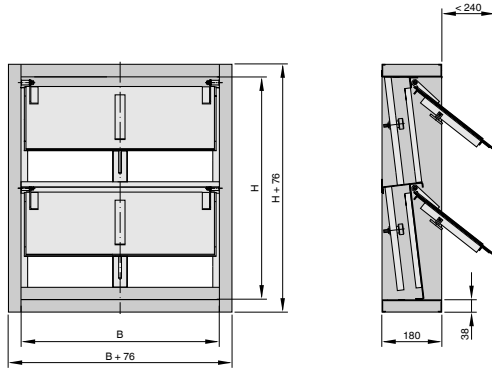
Dimensions

- B: 200 – 1200 mm, intermediate sizes 201 – 1199 in increments of 1 mm
- H: 345 – 1995 mm, intermediate sizes 355 – 505, 685 – 835, 1015 – 1165, 1345 – 1495, 1675 – 1825 mm in increments of 1 mm
- The weight for the next larger size applies

Flow cross section to calculate the airflow velocity

- $A = B \times H$
- Unit of measure for B and H: m

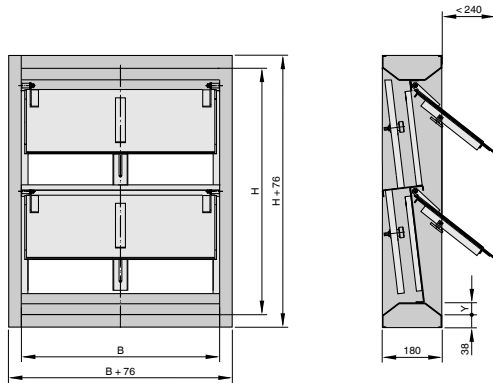
ARK2 standard sizes



ARK2: Standard sizes

H	No. of blades
345	1
675	2
1005	3
1335	4
1665	5
1995	6

ARK2 intermediate sizes



ARK2: Intermediate sizes

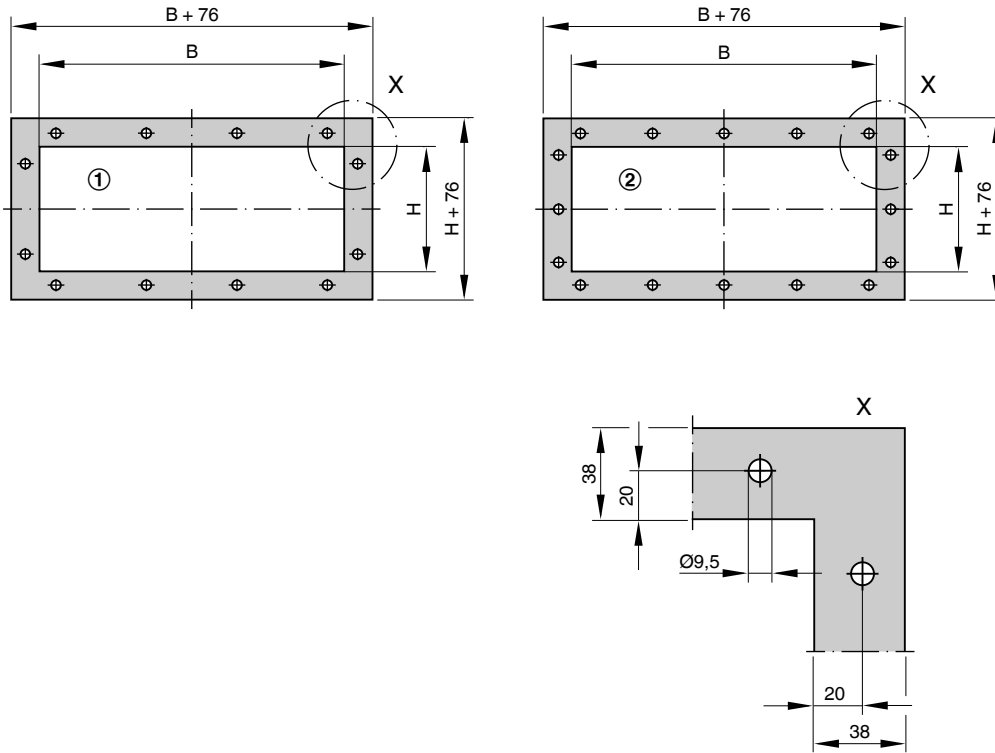
H	No. of blades	Y
355 – 505	1	5 – 80
685 – 835	2	5 – 80
1015 – 1165	3	5 – 80
1345 – 1495	4	5 – 80
1675 – 1825	5	5 – 80

ARK2, weights, kg

H	B					
	200	400	600	800	1000	1200
345	9	11	13	16	19	22
675	13	17	20	24	28	33
1005	19	24	28	33	38	43
1335	24	30	35	41	47	53
1665	30	37	43	50	57	64
1995	35	43	50	58	66	74

Product details

Flange holes – ARK2



- ① Even number of holes (hole pitch = 250 mm)
- ② Uneven number of holes (hole pitch = 250 mm)

ARK2, width, no. of flange holes

B	No. of holes n
200 – 287	1
288 – 537	2
538 – 787	3
788 – 1037	4
1038 – 1200	5

ARK2, height, no. of flange holes

H	No. of holes n
345 – 461	2
462 – 711	3
712 – 961	4
962 – 1211	5
1212 – 1461	6
1462 – 1711	7
1712 – 1961	8
1962 – 1995	9

Installation and commissioning

- Installation orientation: Horizontal airflow
- Only for installation in internal spaces
- Type ARK2 pressure relief dampers are not suitable for air conditioning systems (to protect ducts, for example) because vibration, turbulence and deviations would adversely affect the opening pressure set for the damper.
- To avoid malfunctions, any disturbing effects should be kept to a minimum, and there should be a sufficient difference between the accepted maximum differential pressure and the 'normal' system pressure.

Note

Deviations:

- The actual system conditions cannot be considered at the time of the factory setting which is why pressure deviations might occur on site.
- Temperature fluctuations (within the accepted temperature range) have influences on the holding torque of the retaining element, which can lead to deviations from the set opening pressure

Installation into an internal wall, without installation subframe

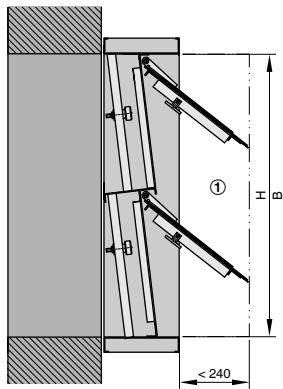


Illustration shows ARK2

① Blade movement area must be kept clear

Duct installation

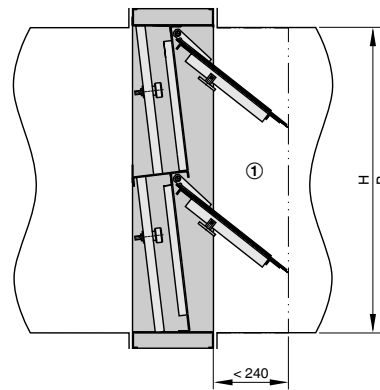


Illustration shows ARK2

① Blade movement area must be kept clear

Nomenclature

Definitions

L_{WA} [dB(A)]

Sound power level of air-regenerated noise for the mechanical self-powered damper, A-rated

A [m²]

Upstream cross section

v [m/s]

Airflow velocity based on the upstream cross section

q_v [m³/h]; [l/s]

Volume flow rate

Δp_{st} [Pa]

Static differential pressure

Δp_t [Pa]

Total differential pressure

Principal dimensions

B [mm]

Duct width

H [mm]

Duct height

n []

Number of flange screw holes

m [kg]

Weight

Lengths

All lengths are given in millimetres [mm] unless stated otherwise