

FILTERS
99,95%
OF ALL
VIRUSES



TAP-L WITH BODY RAL
9016



TROX AIR PURIFIER

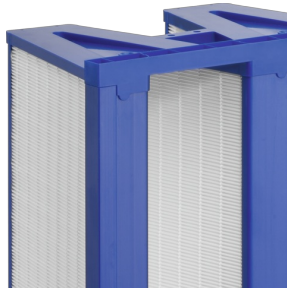
TO REDUCE THE RISK OF INFECTION BY AEROSOLS AND VIRUSES IN ENCLOSED SPACES

The TROX AIR PURIFIER filters more than 99.95% of all aerosols out of the air and is the high-performance stand-alone solution for effectively reducing the risk of infection. It operates quietly, efficiently and ensures maximum effectiveness with the highest air change rate in its class of units.

- Filters more than 99.95% of aerosols out of indoor air
- High air change rates due to volume flow rates through the unit of up to 1600 m³/h
- Very quiet operation due to double sound attenuation
- Low power consumption with energy-efficient motors
- High-efficiency filter system with two filter stages
- Maintenance-free, filter exchange after unit message
- No specialist personnel required for commissioning
- Long service life and efficient operation due to large filter areas
- Intelligent air distribution



TAP-L WITH BODY RAL
7012



PREFILTER MFI-EPM1 85
%



HEPA FILTER MFI-H13



TESTED TO VDI 6022

Tested to VDI 6022

General information

Application

The TROX air purifier is used to purify atmospheric air indoors. As a stationary air purifier, the unit ensures a relevant reduction in dust and aerosol concentration in the indoor air. By using a HEPA filter H13, it filters 99.95% of all aerosols out of the air and thus effectively reduces the infection risks. The unit is used for purifying the indoor air in heavily frequented rooms. These include, for example:

- Waiting and reception areas
- Meeting or conference rooms
- Schools
- Trade fair booths
- Dining rooms
- Shops

Special characteristics

- Compact construction
- Easy operation
- High operational reliability

Classification

- Meets the hygiene requirements

Nominal sizes

- Floor-mounted units L (B × H × T 644 × 2313 × 701 mm)
- Floor-mounted units M (B × H × T 644 × 2313 × 441 mm)

Construction

- SPC: galvanised steel powder-coated

Variants

- P1 Surface body powder-coated, colour RAL 7012 20%
- P2 Diffuser surface / base frame powder-coated, colour RAL 7021 20%

Parts and characteristics

- Fan
- Controller for adapting the air change rate
- Filter change alert (red light)
- Mains isolator with green light luminaire "ready for operation"

Air diffusers

- 3-sided aligned blades

Useful additions

- Mini Pleat filter inserts (MFI) included in delivery
- Associated filter inserts as replacement filters must be ordered separately

Construction features

- Prefilter stage and HEPA filter stage
- Sound attenuator before and after fan

Materials and surfaces

- Casing made of powder-coated sheet steel, body RAL 9016 20%, diffuser/base frame RAL 7012 20%

Standards and guidelines

- Hygiene meets the requirements of VDI 6022, VDI 3803, DIN 1946 Part 4, ÖNORM H 6021 and ÖNORM H 6020, SWKI VA 104-01 and SWKI 99-3, and EN 13779

Maintenance

- Filter changes and other maintenance work can only be carried out when plant operation is interrupted
- Air filters can be easily removed and refitted for filter changes

Installation and commissioning

- Opening the door with Allen key size 10

TECHNICAL INFORMATION

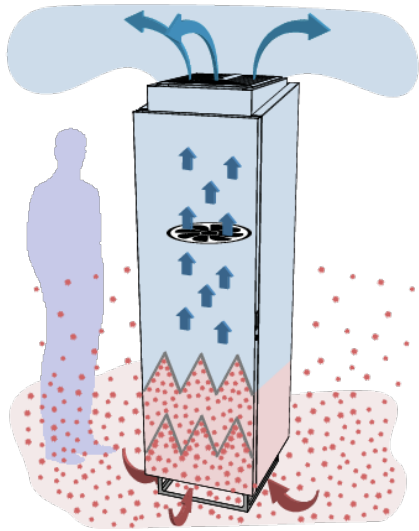
Function, Technical data, Quick sizing, Order code



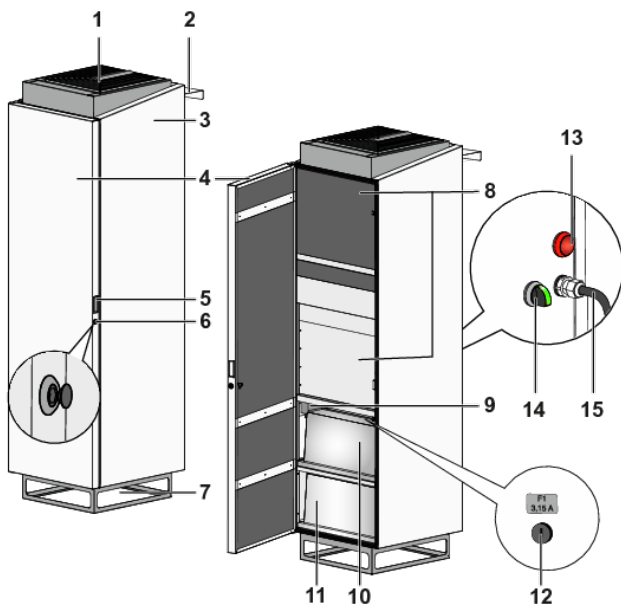
The TROX air purifier draws indoor air into the unit at the lower air intake and feeds it to the filters. The prefilter separates coarser particles, then the HEPA filter separates the smallest suspended particles and particles from the room air. A fan conveys the airflow through the unit and returns the filtered air to the room via the upper outlet. Placed in front of and behind the fan

Sound attenuators reduce the operating noise to a pleasant minimum. With its operation, the TROX air purifier ensures a significant reduction in particles and aerosol concentration in rooms.

By the filtering and high air change rates, the air purifier considerably reduces the amount of germs, viruses and bacteria (depending on the room size) and thus also cuts the risk of infection.



Schematic illustration



- 1 Air discharge
- 2 Fixing brackets
- 3 Casing
- 4 Door
- 5 Flush pull handle
- 6 Door lock
- 7 Air inlet
- 8 Fan sound attenuator unit
- 9 Controller
- 10 Main filter

11 Prefilter

12 Micro fuse

13 Filter change alert (red)

14 Mains isolator with indicator light (green)

15 Mains connection cable

Construction	L	M
Filter dimensions	592 × 592 × 292 mm	592 × 287 × 292 mm
Filter classes	ePM1 85 %/H13	ePM1 85 %/H13
Weight with/without packaging	177 kg/217 kg	137 kg/158 kg
Nominal voltage	230 V AC	230 V AC
Nominal voltage range	200 – 277 V AC	200 – 277 V AC
Frequency	50/60 Hz	50/60 Hz
Nominal current	2.3 A	2.3 A
Mains fuse	16 A	16 A
Micro fuse F1	3.15 A	3.15 A
IEC protection class	I (protective earth)	I (protective earth)
Ambient temperature	+5 °C to +45 °C	+5 °C to +45 °C
Humidity	≤ 90 % rh, no condensation	≤ 90 % rh, no condensation

Low-noise, even at high air change rates

Volume flow rate	Sound power level of the device	Sound pressure level in the application area	Power consumption
m ³ /h	dB(A)	dB(A)	W
400	32	24	20
600	40	32	30
800	45	37	55
1000	49	41	95
1200	53	45	150
1400	58	50	225
1600	61	53	310

Low-noise, even at high air change rates

Volume flow rate	Sound power level of the device	Sound pressure level in the application area	Power consumption
m ³ /h	dB(A)	dB(A)	W
400	38	30	37
500	42	34	56
600	45	37	82
700	48	40	115
800	51	43	155
1000	56	48	256
1200	60	52	386

TAP-L Variant



TAP-L with body RAL 9016
TAP-M Variants



TAP-M with body RAL 9016

TAP	-	SPC	-	L /	P1-RAL...	/	P2-RAL...	/	400 – 1600 [m³/h]
1		2		3	4		5		6

1 Type TAP TROX AIR PURIFIERS

2 Casing material SPC galvanised sheet steel, powder-coated

3 Dimensions

L Floor-mounted unit B × H × T 644 × 2313 × 701 mm

M Floor-mounted unit B × H × T 644 × 2313 × 441 mm

4 Body surface

No entry required: powder-coated, colour RAL 9016 20 %

P1 powder-coated, colour RAL 7012 20 %

5 Diffuser surface/base frame

No entry required: powder-coated, colour RAL 7012 20 %

P2 powder-coated, colour RAL 7021 20 %

6 Operating values for factory setting

400 – 1600 m³/h applicable for dimension L

400 – 1200 m³/h applicable for dimension M

TAP-SPC-L/1200

Casing material	galvanised sheet steel, powder-coated
Dimensions	644 × 2313 × 701 mm
Surface (body)	Standard finish 9016-GE20
Colour P1 (body)	RAL 9016
Gloss level (body)	GE 20
Surface (diffuser/base)	Standard finish 7012-GE20
Colour P1 (diffuser/base)	RAL 7012
Gloss level (diffuser/base)	GE 20
Volume flow rate	1200 m³/h

Variants, Product details, Replacement filters



Nominal sizes

- Floor-mounted unit L (L x W x H 644 × 2313 × 701 mm)
- Floor-mounted unit M (L x W x H 644 × 2313 × 441 mm)

TAP-L Variant

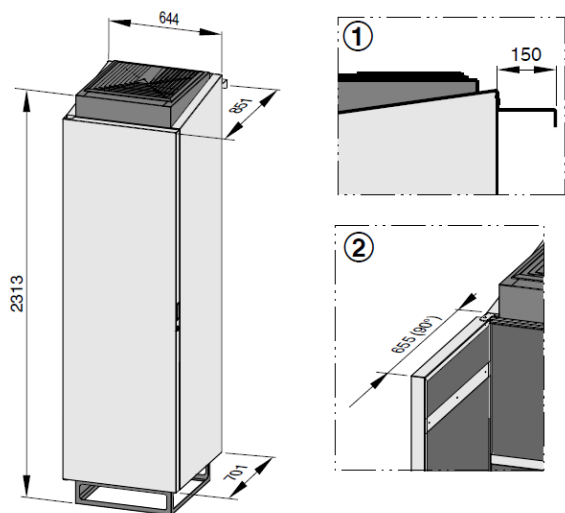


TAP-L with body RAL 9016
TAP-L Variants



TAP-L with body RAL 7012

Dimensions and space required TAP-L



- 1 Door opening dimension (hinge left)
- 2 Fixing brackets (wall distance)

Information about replacement filters can be found on our [website](#) and in our [product data sheet](#).

X
Product data sheet
MFI



Mini Pleat filter insert
type MFI



Mini Pleat filter insert
type MFI construction
SPC



Eurovent certification



Tested to VDI 6022



ATEX construction optional

Mini Pleat filters

MFI



Compact construction for large volume flow rates

Prefilters or final filters for the separation of fine dust and particulate filters for the most critical requirements in ventilation systems

- Filter groups ISO ePM10, ISO ePM1 (fine dust filter) and EPA, HEPA (particulate filter)
- Performance data tested according to ISO 16890 or to EN 1822-1 and ISO 29463-2 to ISO 29463-5
- Eurovent certification for fine dust filters
- Meets the hygiene requirements of VDI 6022
- High energy efficiency class according to Eurovent
- Optimised energy efficiency of the PLA-ECO construction in ISO ePM1
- Filter media for special requirements, glass fibre papers, with spacers made of hot-melt adhesive or textile threads
- Low initial differential pressure due to ideal pleat position and largest possible filter area
- Compact V-design with low installation depths
- Fitting into standard cell frames for filter walls (type SIF), into mounting frames (type MF), or into universal casings (type UCA) for duct installation

Optional equipment

- ATEX construction for protection zones 1 and 2 as well as 21 and 22

TROX® TECHNIK
1
PD-02/2020 - DE/en

TROX Middle East (LLC)

□

P.O. Box No. 31432
19 Street
Al Quoz Industrial Estate #3
Dubai
United Arab. Emirates
Tel.: +971 4 3417448
Fax: +971 4 3417449

Online-Services

- TROX Academy
- Your contact partner

Service-Hotlines

United Arab. Emirates
Tel.: +971 4 3417448
Fax: +971 4 3417449

[Contact](#)

TROX IN SOCIAL WEB